



# CWE(X)

## Multi-Position Chilled Water Fan Coil

3-Speed, 24V Control

240V Multi-Speed Motor



# STANDARD FEATURES

The **CWE(X)** is equipped with a control board that allows 24V **3-speed fan operation from a 3-speed wall mounted thermostat**.

Three compatible 3-speed thermostats are available from AE-Air: manual changeover (#T420), auto changeover (#T421), and the all new "Autospeed 24V" (#T200 and #T201).

The T200/T201 Autospeed 24V provides maximum comfort and efficiency by **automatically varying the fan speed between High, Medium, and Low speeds**, depending on room temperature and desired thermostat setting.

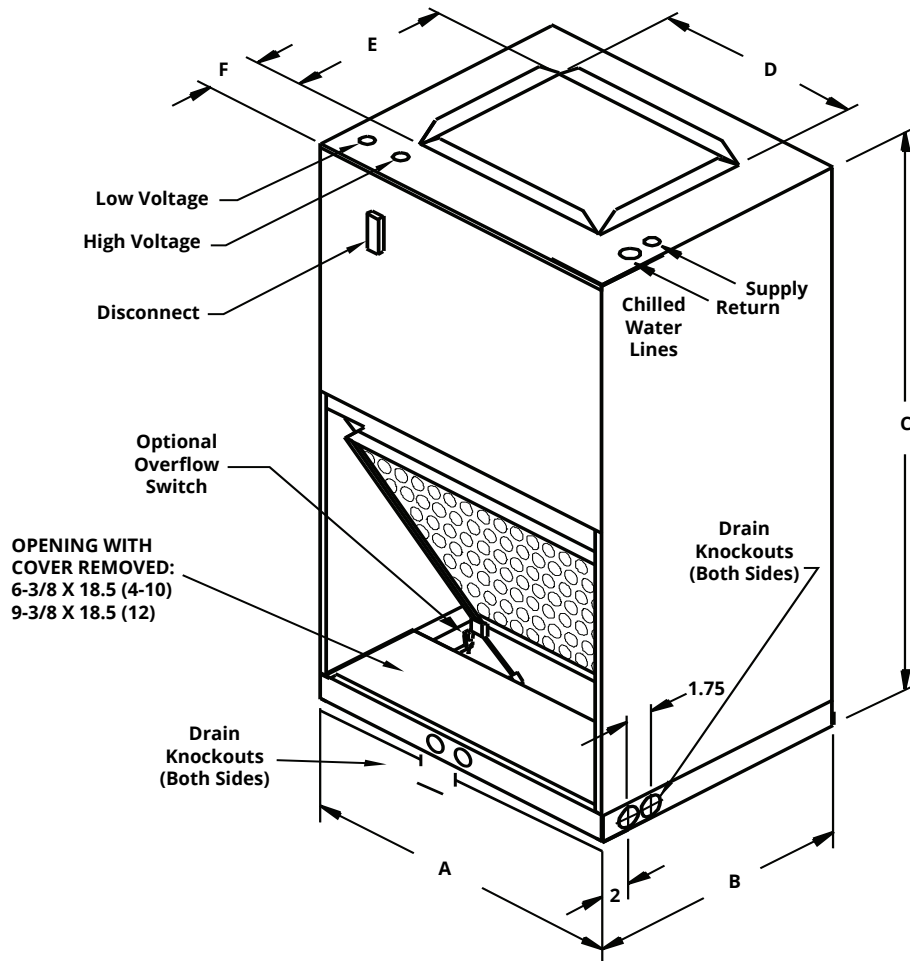
- **230/24V 3-speed control board**
- **Electrical service pullout** (not on 277V models)

| CWX         | Thru-Door |
|-------------|-----------|
| 120/24V     | NO        |
| 208/230/24V | YES       |
| 277/24V     | NO        |
| CWEX        |           |
| 208/230/24V | YES       |

- Factory installed electric heat
- Non-corrosive thermoplastic drain pan, sloped for positive drainage
- Separate compartment for drain connections (allows the use of PVC drain piping)
- Drain pan has female primary and secondary fittings
- Easily accessible 1" filter
- Various optional factory installed valve packages
- Coil connections stub out top of unit

AE-Air's customer is ultimately responsible for confirming which fan coil models are compatible for their installation and application. To determine certified performance, go to [www.ae-air.com](http://www.ae-air.com) or [www.ahridirectory.org](http://www.ahridirectory.org)

## Dimensions



| PHYSICAL DIMENSIONS |        |        |    |    |        |       |             |                                |
|---------------------|--------|--------|----|----|--------|-------|-------------|--------------------------------|
| UNIT MODEL          | A      | B      | C  | D  | E      | F     | FILTER SIZE | CHILLED WATER COIL CONNECTIONS |
| 4 - 10CWE           | 22-1/8 | 15-1/8 | 40 | 14 | 10-1/2 | 3-5/8 | 18 X 18     | 5/8 O.D.                       |
| 12CWE               | 22-1/8 | 18-1/8 | 43 | 14 | 13     | 3-5/8 | 18 X 20     | 5/8 O.D.                       |

**NOTES:**

1. Coil connections are sweat and stub out top of unit

| BLOWER DATA- PSC |                   |             |                                  |      |      |      |      |      |      |      |
|------------------|-------------------|-------------|----------------------------------|------|------|------|------|------|------|------|
| UNIT MODEL       | MOTOR H.P. (230V) | MOTOR SPEED | CFM VS. EXTERNAL STATIC PRESSURE |      |      |      |      |      |      |      |
|                  |                   |             | 0.05                             | 0.10 | 0.15 | 0.20 | 0.25 | 0.30 | 0.35 | 0.40 |
| 4CWE             | 1/6               | MED. HIGH   | 520                              | 500  | 480  | 460  | 430  | 410  | 390  | ---  |
|                  |                   | MED. LOW    | 390                              | 370  | 355  | 340  | 325  | 310  | 290  | ---  |
|                  |                   | LOW         | 310                              | 290  | 270  | 250  | 235  | 220  | 195  | ---  |
| 6CWE             | 1/6               | HIGH        | 610                              | 600  | 590  | 580  | 570  | 560  | 545  | ---  |
|                  |                   | MED.HIGH    | 470                              | 460  | 450  | 440  | 430  | 420  | 405  | ---  |
|                  |                   | MED. LOW    | 355                              | 340  | 325  | 310  | 300  | 290  | 280  | ---  |
| 8CWE             | 1/6               | HIGH        | 860                              | 840  | 820  | 800  | 780  | 760  | 740  | 720  |
|                  |                   | MEDIUM      | 715                              | 700  | 685  | 670  | 655  | 640  | 620  | 600  |
|                  |                   | LOW         | 590                              | 580  | 565  | 550  | 540  | 530  | 515  | 500  |
| 10CWE            | 1/4               | HIGH        | 1120                             | 1100 | 1075 | 1050 | 1025 | 1000 | 970  | 940  |
|                  |                   | MEDIUM      | 910                              | 900  | 880  | 860  | 845  | 830  | 810  | 790  |
|                  |                   | LOW         | 730                              | 720  | 710  | 700  | 690  | 680  | 665  | 650  |
| 12CWE            | 1/4               | HIGH        | ---                              | 1160 | 1130 | 1100 | 1070 | 1040 | 1010 | 980  |
|                  |                   | MED-HIGH    | ---                              | 1050 | 1030 | 1010 | 985  | 960  | 930  | 900  |
|                  |                   | MED-LOW     | ---                              | 970  | 950  | 930  | 910  | 890  | 870  | 850  |

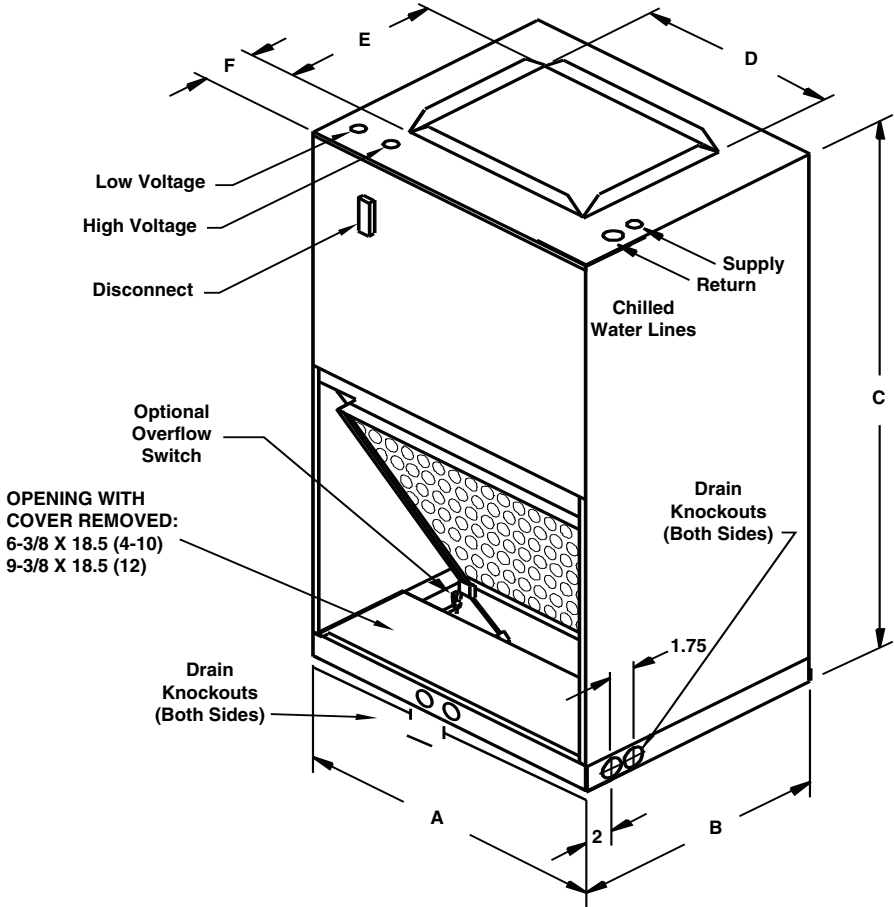


In keeping with its policy of continuous progress and product improvement, AE-Air reserves the right to make changes without notice.

| ELECTRICAL DATA |                        |      |      |        |        |        |            |      |      |                    |      |      |                             |      |      |     |
|-----------------|------------------------|------|------|--------|--------|--------|------------|------|------|--------------------|------|------|-----------------------------|------|------|-----|
| UNIT MODEL      | ELECTRIC HEAT CAPACITY |      |      |        |        |        | TOTAL AMPS |      |      | MIN. CIR. AMPACITY |      |      | MAX. OVERCURRENT PROTECTION |      |      |     |
|                 | KW                     |      |      | BTUH   |        |        | 230V       | 208V | 277V | 230V               | 208V | 277V | 230V                        | 208V | 277V |     |
|                 | 230V                   | 208V | 277V | 230V   | 208V   | 277V   |            |      |      |                    |      |      |                             |      |      |     |
| 4CWE            | 0                      | 0    | 0    | 0      | 0      | 0      | 1.1        | ---  | 1.2  | ---                | ---  | ---  | ---                         | ---  | ---  |     |
|                 | 1                      | 1    | 0.8  | 1      | 3400   | 2600   | 3400       | 5.3  | 4.7  | 4.8                | 7    | 6    | 6                           | 15   | 15   | 15  |
|                 | 2                      | 2    | 1.5  | 2      | 6800   | 5100   | 6800       | 9.4  | 8.3  | 8.4                | 12   | 11   | 11                          | 15   | 15   | 15  |
|                 | 3                      | 3    | 2.3  | 3      | 10200  | 7700   | 10200      | 13.6 | 11.9 | 12.0               | 17   | 15   | 15                          | 20   | 15   | 15  |
|                 | 4                      | 4    | 3.0  | 4      | 13600  | 10200  | 13600      | 17.8 | 15.5 | 15.6               | 23   | 20   | 20                          | 25   | 20   | 20  |
| 6CWE            | 0                      | 0    | 0    | 0      | 0      | 0      | 1.1        | ---  | 1.2  | ---                | ---  | ---  | ---                         | ---  | ---  |     |
|                 | 2                      | 2    | 1.5  | 2      | 6800   | 5100   | 6800       | 9.4  | 8.3  | 8.4                | 12   | 11   | 11                          | 15   | 15   | 15  |
|                 | 3                      | 3    | 2.3  | 3      | 10200  | 7700   | 10200      | 13.6 | 11.9 | 12.0               | 17   | 15   | 15                          | 20   | 15   | 15  |
|                 | 4                      | 4    | 3.0  | 4      | 13600  | 10200  | 13600      | 17.8 | 15.5 | 15.6               | 23   | 20   | 20                          | 25   | 20   | 20  |
|                 | 5                      | 5    | 3.8  | 5      | 17000  | 12800  | 17000      | 21.9 | 19.1 | 19.3               | 28   | 24   | 24                          | 30   | 25   | 25  |
|                 | 6                      | 6    | 4.5  | 6      | 20500  | 15400  | 20500      | 26.1 | 22.7 | 22.9               | 33   | 29   | 29                          | 35   | 30   | 30  |
| 8CWE            | 0                      | 0    | 0    | 0      | 0      | 0      | 1.7        | ---  | 1.2  | ---                | ---  | ---  | ---                         | ---  | ---  |     |
|                 | 3                      | 3    | 2.3  | 3      | 10200  | 7700   | 10200      | 14.2 | 12.5 | 12.0               | 18   | 16   | 15                          | 20   | 20   | 15  |
|                 | 4                      | 4    | 3.0  | 4      | 13600  | 10200  | 13600      | 18.4 | 16.1 | 15.6               | 23   | 21   | 20                          | 25   | 25   | 20  |
|                 | 5                      | 5    | 3.8  | 5      | 17000  | 12800  | 17000      | 22.5 | 19.7 | 19.3               | 29   | 25   | 24                          | 30   | 25   | 25  |
|                 | 6                      | 6    | 4.5  | 6      | 20500  | 15400  | 20500      | 26.7 | 23.3 | 22.9               | 34   | 30   | 29                          | 35   | 30   | 30  |
|                 | 8                      | 8    | 6.0  | 8      | 27300  | 20500  | 27300      | 35.0 | 30.5 | 30.1               | 44   | 39   | 38                          | 50   | 40   | 40  |
| 10CWE           | 0                      | 0    | 0    | 0      | 0      | 0      | 2.7        | ---  | 1.6  | ---                | ---  | ---  | ---                         | ---  | ---  |     |
|                 | 3                      | 3    | 2.3  | 3      | 10200  | 7700   | 10200      | 15.2 | 13.5 | 12.4               | 19   | 17   | 16                          | 20   | 20   | 20  |
|                 | 5                      | 5    | 3.8  | 5      | 17000  | 12800  | 17000      | 23.5 | 20.7 | 19.7               | 30   | 26   | 25                          | 30   | 30   | 25  |
|                 | 6                      | 6    | 4.5  | 6      | 20500  | 15400  | 20500      | 27.7 | 24.3 | 23.3               | 35   | 31   | 29                          | 35   | 35   | 30  |
|                 | 8                      | 8    | 6.0  | 8      | 27300  | 20500  | 27300      | 36.0 | 31.5 | 30.5               | 45   | 40   | 38                          | 50   | 40   | 40  |
|                 | 10                     | 10   | 7.5  | 10     | 34100  | 25600  | 34100      | 44.4 | 38.8 | 37.7               | 56   | 49   | 47                          | 60   | 50   | 50  |
| 12CWE           | 0                      | 0    | 0    | ---    | 0      | 0      | 2.5        | ---  | ---  | ---                | ---  | ---  | ---                         | ---  | ---  |     |
|                 | 3                      | 3    | 2.3  | ---    | 10,200 | 7,700  | ---        | 14.5 | 12.8 | ---                | 19   | 17   | ---                         | 20   | 20   | --- |
|                 | 5                      | 5    | 3.8  | ---    | 17,000 | 12,800 | ---        | 22.8 | 20.0 | ---                | 29   | 26   | ---                         | 30   | 30   | --- |
|                 | 6                      | 6    | 4.5  | ---    | 20,500 | 15,400 | ---        | 27.0 | 23.6 | ---                | 34   | 30   | ---                         | 35   | 35   | --- |
|                 | 8                      | 8    | 6.0  | ---    | 27,300 | 20,500 | ---        | 35.3 | 30.9 | ---                | 45   | 39   | ---                         | 50   | 40   | --- |
| 10              | 10                     | 7.5  | ---  | 34,100 | 25,600 | ---    | 43.7       | 38.1 | ---  | 55                 | 48   | ---  | 60                          | 50   | ---  |     |

| COOLING CAPACITY |             |                          |                 |                     |      |      |                     |      |      |                          |                |                     |      |                     |      |      |      |
|------------------|-------------|--------------------------|-----------------|---------------------|------|------|---------------------|------|------|--------------------------|----------------|---------------------|------|---------------------|------|------|------|
| UNIT MODEL       | NOMINAL CFM | 45 DEGREE ENTERING WATER |                 |                     |      |      |                     |      |      | 42 DEGREE ENTERING WATER |                |                     |      |                     |      |      |      |
|                  |             | GPM                      | P.D. (Ft. Wtr.) | 80F D.B. / 67F W.B. |      |      | 75F D.B. / 63F W.B. |      |      | GPM                      | GPM (Ft. Wtr.) | 80F D.B. / 67F W.B. |      | 75F D.B. / 63F W.B. |      |      |      |
|                  |             |                          |                 | TH                  | SH   | TR   | TH                  | SH   | TR   |                          |                | TH                  | SH   | TR                  |      |      |      |
| 4CWE             | 400         | 1.5                      | 4.3             | 9.7                 | 8.8  | 13.0 | 7.8                 | 7.8  | 10.4 | 1.5                      | 4.3            | 10.6                | 9.1  | 14.1                | 8.6  | 8.6  | 11.4 |
|                  |             | 2.5                      | 10.5            | 12.0                | 9.6  | 9.6  | 9.2                 | 8.5  | 7.4  | 2.5                      | 10.5           | 13.1                | 10.0 | 10.5                | 10.0 | 8.8  | 8.0  |
|                  |             | 3.5                      | 19.0            | 13.1                | 10.0 | 7.5  | 10.0                | 8.8  | 5.7  | 3.5                      | 19.0           | 14.2                | 10.5 | 8.1                 | 10.9 | 9.2  | 6.2  |
| 6CWE             | 600         | 3.0                      | 5.0             | 17.3                | 13.1 | 11.5 | 13.2                | 11.5 | 8.8  | 3.5                      | 6.7            | 20.0                | 14.1 | 11.4                | 15.3 | 12.3 | 8.7  |
|                  |             | 4.0                      | 8.6             | 19.2                | 13.8 | 9.6  | 14.7                | 12.1 | 7.3  | 4.5                      | 10.7           | 21.7                | 14.8 | 9.6                 | 16.6 | 12.8 | 7.4  |
|                  |             | 5.0                      | 13.0            | 20.4                | 14.3 | 8.2  | 15.6                | 12.5 | 6.2  | 5.5                      | 15.5           | 22.8                | 15.2 | 8.3                 | 17.4 | 13.2 | 6.3  |
| 8CWE             | 800         | 6.5                      | 11.4            | 23.2                | 17.1 | 7.1  | 17.7                | 15.0 | 5.4  | 6.0                      | 9.8            | 24.6                | 17.6 | 8.2                 | 18.8 | 15.4 | 6.3  |
|                  |             | 7.5                      | 14.8            | 24.2                | 17.4 | 6.5  | 18.5                | 15.3 | 4.9  | 7.0                      | 13.1           | 25.8                | 18.1 | 7.4                 | 19.7 | 15.8 | 5.6  |
|                  |             | 8.5                      | 18.7            | 25.0                | 17.7 | 5.9  | 19.1                | 15.5 | 4.5  | 8.0                      | 16.7           | 26.8                | 18.4 | 6.7                 | 20.5 | 16.1 | 5.1  |
| 10CWE            | 1000        | 6.5                      | 5.7             | 29.0                | 21.6 | 8.9  | 22.2                | 19.0 | 6.8  | 6.0                      | 4.6            | 30.7                | 22.2 | 10.2                | 23.5 | 19.4 | 7.8  |
|                  |             | 8.0                      | 8.2             | 31.0                | 22.3 | 7.8  | 23.7                | 19.5 | 5.9  | 8.0                      | 8.2            | 33.8                | 23.4 | 8.5                 | 25.8 | 20.4 | 6.5  |
|                  |             | 9.5                      | 11.0            | 32.5                | 22.9 | 6.8  | 24.8                | 20.0 | 5.2  | 10.0                     | 12.1           | 35.8                | 24.1 | 7.2                 | 27.3 | 20.9 | 5.5  |
| 12CWE            | 1200        | 6.0                      | 6.3             | 33.0                | 26.1 | 11.0 | 25.2                | 23.1 | 8.4  | 5.5                      | 5.4            | 34.7                | 26.7 | 12.6                | 26.5 | 23.5 | 9.6  |
|                  |             | 7.5                      | 9.5             | 36.1                | 27.3 | 9.6  | 27.6                | 24.0 | 7.4  | 7.0                      | 8.4            | 38.3                | 28.1 | 10.9                | 29.3 | 24.6 | 8.4  |
|                  |             | 9.0                      | 13.2            | 38.5                | 28.1 | 8.5  | 29.4                | 24.7 | 6.5  | 8.5                      | 11.9           | 41.1                | 29.2 | 9.7                 | 31.4 | 25.5 | 7.4  |

## Dimensions



| PHYSICAL DIMENSIONS |        |        |    |    |        |       |             |                                |
|---------------------|--------|--------|----|----|--------|-------|-------------|--------------------------------|
| UNIT MODEL          | A      | B      | C  | D  | E      | F     | FILTER SIZE | CHILLED WATER COIL CONNECTIONS |
| 4 - 10CWEX          | 22-1/8 | 15-1/8 | 40 | 14 | 10-1/2 | 3-5/8 | 18 X 18     | 5/8 O.D.                       |
| 12CWEX              | 22-1/8 | 18-1/8 | 43 | 14 | 13     | 3-5/8 | 18 X 20     | 5/8 O.D.                       |

**NOTES:**  
 1. Coil connections are sweat and stub out top of unit

| BLOWER DATA - ECM |                   |            |                                  |      |      |      |      |      |      |      |
|-------------------|-------------------|------------|----------------------------------|------|------|------|------|------|------|------|
| UNIT MODEL        | MOTOR H.P. (230V) | SPEED TAPS | CFM VS. EXTERNAL STATIC PRESSURE |      |      |      |      |      |      |      |
|                   |                   |            | 0.05                             | 0.10 | 0.15 | 0.20 | 0.25 | 0.30 | 0.35 | 0.40 |
| 4CWEX             | 1/3               | 4          | 615                              | 600  | 580  | 560  | 545  | 530  | 500  | 470  |
|                   |                   | 3          | 515                              | 500  | 485  | 470  | 450  | 430  | 415  | 400  |
|                   |                   | 2          | 405                              | 390  | 375  | 360  | 345  | 330  | 310  | 290  |
|                   |                   | 1          | 340                              | 320  | 300  | 280  | 260  | 230  | 225  | 190  |
| 6CWEX             | 1/3               | 4          | 755                              | 740  | 725  | 710  | 695  | 680  | 660  | 640  |
|                   |                   | 3          | 675                              | 660  | 645  | 630  | 615  | 600  | 590  | 580  |
|                   |                   | 2          | 520                              | 500  | 480  | 460  | 450  | 440  | 425  | 410  |
|                   |                   | 1          | 390                              | 370  | 350  | 330  | 315  | 300  | 280  | 260  |
| 8CWEX             | 1/3               | 3          | 900                              | 880  | 860  | 840  | 820  | 800  | 775  | 750  |
|                   |                   | 2          | 705                              | 690  | 680  | 670  | 655  | 640  | 625  | 610  |
|                   |                   | 1          | 575                              | 560  | 545  | 530  | 515  | 500  | 480  | 460  |
| 10CWEX            | 1/2               | 3          | 1050                             | 1030 | 1010 | 990  | 970  | 950  | 925  | 900  |
|                   |                   | 2          | 900                              | 890  | 880  | 870  | 855  | 840  | 830  | 820  |
|                   |                   | 1          | 750                              | 740  | 730  | 720  | 710  | 700  | 680  | 660  |
| 12CWEX            | 1/2               | 3          | 1280                             | 1260 | 1230 | 1220 | 1200 | 1180 | 1150 | 1120 |
|                   |                   | 2          | 1115                             | 1100 | 1085 | 1070 | 1055 | 1040 | 1030 | 1020 |
|                   |                   | 1          | 960                              | 950  | 940  | 930  | 915  | 900  | 885  | 870  |



In keeping with its policy of continuous progress and product improvement, AE-Air reserves the right to make changes without notice.

| ELECTRICAL DATA |                        |      |      |        |            |      |                    |      |                             |      |
|-----------------|------------------------|------|------|--------|------------|------|--------------------|------|-----------------------------|------|
| UNIT MODEL      | ELECTRIC HEAT CAPACITY |      |      |        | TOTAL AMPS |      | MIN. CIR. AMPACITY |      | MAX. OVERCURRENT PROTECTION |      |
|                 | KW                     |      | BTUH |        | 230V       | 208V | 230V               | 208V | 230V                        | 208V |
|                 | 230V                   | 208V | 230V | 208V   |            |      |                    |      |                             |      |
| 4CWEX           | 0                      | 0    | ---  | 0      | ---        | 2.8  | ---                | ---  | ---                         | ---  |
|                 | 1                      | 1    | 0.8  | 3,400  | 2600       | 7.0  | 6.4                | 9    | 8                           | 15   |
|                 | 2                      | 2    | 1.5  | 6,800  | 5100       | 11.1 | 10.0               | 14   | 13                          | 15   |
|                 | 3                      | 3    | 2.3  | 10,200 | 7700       | 15.3 | 13.6               | 19   | 17                          | 20   |
|                 | 4                      | 4    | 3.0  | 13,600 | 10200      | 19.5 | 17.2               | 24   | 22                          | 25   |
| 6CWEX           | 0                      | 0    | ---  | 0      | ---        | 2.8  | ---                | ---  | ---                         | ---  |
|                 | 2                      | 2    | 1.5  | 6800   | 5100       | 11.1 | 10.0               | 14   | 13                          | 15   |
|                 | 3                      | 3    | 2.3  | 10200  | 7700       | 15.3 | 13.6               | 19   | 17                          | 20   |
|                 | 4                      | 4    | 3.0  | 13600  | 10200      | 19.5 | 17.2               | 24   | 22                          | 25   |
|                 | 5                      | 5    | 3.8  | 17000  | 12800      | 23.6 | 20.8               | 30   | 26                          | 30   |
|                 | 6                      | 6    | 4.5  | 20500  | 15400      | 27.8 | 24.4               | 35   | 31                          | 35   |
| 8CWEX           | 0                      | 0    | ---  | 0      | ---        | 2.8  | ---                | ---  | ---                         | ---  |
|                 | 3                      | 3    | 2.3  | 10200  | 7700       | 15.3 | 13.6               | 19   | 17                          | 20   |
|                 | 4                      | 4    | 3.0  | 13600  | 10200      | 19.5 | 17.2               | 24   | 22                          | 25   |
|                 | 5                      | 5    | 3.8  | 17000  | 12800      | 23.6 | 20.8               | 30   | 26                          | 30   |
|                 | 6                      | 6    | 4.5  | 20500  | 15400      | 27.8 | 24.4               | 35   | 31                          | 35   |
|                 | 8                      | 8    | 6.0  | 27300  | 20500      | 36.1 | 31.6               | 45   | 40                          | 45   |
| 10CWEX          | 0                      | 0    | ---  | 0      | ---        | 4.1  | ---                | ---  | ---                         | ---  |
|                 | 3                      | 3    | 2.3  | 10200  | 7700       | 16.6 | 14.9               | 21   | 19                          | 25   |
|                 | 5                      | 5    | 3.8  | 17000  | 12800      | 24.9 | 22.1               | 31   | 28                          | 35   |
|                 | 6                      | 6    | 4.5  | 20500  | 15400      | 29.1 | 25.7               | 36   | 32                          | 40   |
|                 | 8                      | 8    | 6.0  | 27300  | 20500      | 37.4 | 32.9               | 47   | 41                          | 50   |
|                 | 10                     | 10   | 7.5  | 34100  | 25600      | 45.8 | 40.2               | 57   | 5                           | 60   |
| 12CWEX          | 0                      | 0    | ---  | 0      | ---        | 4.1  | ---                | ---  | ---                         | ---  |
|                 | 3                      | 3    | 2.3  | 10200  | 7700       | 16.6 | 14.9               | 21   | 19                          | 25   |
|                 | 5                      | 5    | 3.8  | 17000  | 12800      | 24.9 | 22.1               | 31   | 28                          | 35   |
|                 | 6                      | 6    | 4.5  | 20500  | 15400      | 29.1 | 25.7               | 36   | 32                          | 40   |
|                 | 8                      | 8    | 6.0  | 27300  | 20500      | 37.4 | 32.9               | 47   | 41                          | 50   |
|                 | 10                     | 10   | 7.5  | 34100  | 25600      | 45.8 | 40.2               | 57   | 5                           | 60   |

| COOLING CAPACITY |             |                          |                 |                     |      |      |                     |      |      |      |                          |                     |      |      |                     |      |      |
|------------------|-------------|--------------------------|-----------------|---------------------|------|------|---------------------|------|------|------|--------------------------|---------------------|------|------|---------------------|------|------|
| UNIT MODEL       | NOMINAL CFM | 45 DEGREE ENTERING WATER |                 |                     |      |      |                     |      |      |      | 42 DEGREE ENTERING WATER |                     |      |      |                     |      |      |
|                  |             | GPM                      | P.D. (Ft. Wtr.) | 80F D.B. / 67F W.B. |      |      | 75F D.B. / 63F W.B. |      |      | GPM  | GPM (Ft. Wtr.)           | 80F D.B. / 67F W.B. |      |      | 75F D.B. / 63F W.B. |      |      |
|                  |             |                          |                 | TH                  | SH   | TR   | TH                  | SH   | TR   |      |                          | TH                  | SH   | TR   | TH                  | SH   | TR   |
| 4CWEX            | 400         | 1.5                      | 4.3             | 9.7                 | 8.8  | 13.0 | 7.8                 | 7.8  | 10.4 | 1.5  | 4.3                      | 10.6                | 9.1  | 14.1 | 8.6                 | 8.6  | 11.4 |
|                  |             | 2.5                      | 10.5            | 12.0                | 9.6  | 9.6  | 9.2                 | 8.5  | 7.4  | 2.5  | 10.5                     | 13.1                | 10.0 | 10.5 | 10.0                | 8.8  | 8.0  |
|                  |             | 3.5                      | 19.0            | 13.1                | 10.0 | 7.5  | 10.0                | 8.8  | 5.7  | 3.5  | 19.0                     | 14.2                | 10.5 | 8.1  | 10.9                | 9.2  | 6.2  |
| 6CWEX            | 600         | 3.0                      | 5.0             | 17.3                | 13.1 | 11.5 | 13.2                | 11.5 | 8.8  | 3.5  | 6.7                      | 20.0                | 14.1 | 11.4 | 15.3                | 12.3 | 8.7  |
|                  |             | 4.0                      | 8.6             | 19.2                | 13.8 | 9.6  | 14.7                | 12.1 | 7.3  | 4.5  | 10.7                     | 21.7                | 14.8 | 9.6  | 16.6                | 12.8 | 7.4  |
|                  |             | 5.0                      | 13.0            | 20.4                | 14.3 | 8.2  | 15.6                | 12.5 | 6.2  | 5.5  | 15.5                     | 22.8                | 15.2 | 8.3  | 17.4                | 13.2 | 6.3  |
| 8CWEX            | 800         | 6.5                      | 11.4            | 23.2                | 17.1 | 7.1  | 17.7                | 15.0 | 5.4  | 6.0  | 9.8                      | 24.6                | 17.6 | 8.2  | 18.8                | 15.4 | 6.3  |
|                  |             | 7.5                      | 14.8            | 24.2                | 17.4 | 6.5  | 18.5                | 15.3 | 4.9  | 7.0  | 13.1                     | 25.8                | 18.1 | 7.4  | 19.7                | 15.8 | 5.6  |
|                  |             | 8.5                      | 18.7            | 25.0                | 17.7 | 5.9  | 19.1                | 15.5 | 4.5  | 8.0  | 16.7                     | 26.8                | 18.4 | 6.7  | 20.5                | 16.1 | 5.1  |
| 10CWEX           | 1000        | 6.5                      | 5.7             | 29.0                | 21.6 | 8.9  | 23.2                | 19.0 | 6.8  | 6.0  | 4.6                      | 30.7                | 22.2 | 10.2 | 23.5                | 19.4 | 7.8  |
|                  |             | 8.0                      | 8.2             | 31.0                | 22.3 | 7.8  | 23.7                | 19.5 | 5.9  | 8.0  | 8.2                      | 33.8                | 23.4 | 8.5  | 25.8                | 20.4 | 6.5  |
|                  |             | 9.5                      | 11.0            | 32.5                | 22.9 | 6.8  | 24.8                | 20.0 | 5.2  | 10.0 | 12.1                     | 35.8                | 24.1 | 7.2  | 27.3                | 20.9 | 5.5  |
| 12CWEX           | 1200        | 6.0                      | 6.3             | 33.0                | 26.1 | 11.0 | 25.2                | 23.1 | 8.4  | 5.5  | 5.4                      | 34.7                | 26.7 | 12.6 | 26.5                | 23.5 | 9.6  |
|                  |             | 7.5                      | 9.5             | 36.1                | 27.3 | 9.6  | 27.6                | 24.0 | 7.4  | 7.0  | 8.4                      | 38.3                | 28.1 | 10.9 | 29.3                | 24.6 | 8.4  |
|                  |             | 9.0                      | 13.2            | 38.5                | 28.1 | 8.5  | 29.4                | 24.7 | 6.5  | 8.5  | 11.9                     | 41.1                | 29.2 | 9.7  | 31.4                | 25.5 | 7.4  |

# ACCESSORIES

| OPTIONAL ACCESSORIES (FIELD INSTALLED)                                 |                              |                                    |                                   |
|--|------------------------------|------------------------------------|-----------------------------------|
| DESCRIPTION  | PART #                       | DIMENSIONS                         |                                   |
| WALL PANEL (1)   | <b>9PWUC01L (4-10)</b>       | 43-3/8 X 25-5/8<br>(Outside Frame) | 40-3/8 X 22-5/8<br>(Inside Frame) |
|  | <b>9PWUC02L (12)</b>         | 46-3/8 X 25-5/8<br>(Outside Frame) | 43-3/8 X 22-5/8<br>(Inside Frame) |
| HANGER BRKT. SET   | <b>90PK3</b>                 | 1-1/2 X 22-1/8                     | ---                               |
| RETURN AIR COVER   | <b>90PK4 (4-10)</b>          | 19-13/16 X 22                      | ---                               |
|  | <b>90PK5 (12)</b>            | 21-5/8 X 22                        | ---                               |
| CONDENSATE OVERFLOW SWITCH   | <b>SS3</b>                   | ---                                | ---                               |
| WALL THERMOSTAT 3-SPD., MANUAL CHANGEOVER                              | <b>T420</b><br>(120/230/277) | ---                                | ---                               |
| WALL THERMOSTAT 3-SPD., AUTO CHANGEOVER                                | <b>T421</b><br>(120/230/277) | ---                                | ---                               |
| 24V WALL THERMOSTAT 3-SPD., MANUAL CHANGEOVER ( <b>AUTOSPEED 24V</b> ) | <b>T200</b><br>(24V)         | ---                                | ---                               |
| 24V WALL THERMOSTAT 3-SPD., AUTO CHANGEOVER ( <b>AUTOSPEED 24V</b> )   | <b>T201</b><br>(24V)         | ---                                | ---                               |

| OPTIONAL VALVE CLUSTERS (Factory installed) |                                  |
|---|----------------------------------|
| PART #                                      | DESCRIPTION                      |
| <b>VALVE CLUSTER:</b>                       |                                  |
| <b>9VCWNVM</b>                              | No valves, stub kit only         |
| <b>9VCW2BVM</b>                             | 2 hand valves                    |
| <b>9VCW22BM</b>                             | 2-way, valve body, 2 hand valves |
| <b>9VCW23BM</b>                             | 3-way, valve body, 2 hand valves |
| <b>POWER HEAD:</b>                          |                                  |
| <b>911-111</b>                              | 24V                              |

**NOTES:**

All models are available with or without factory installed valve clusters. Above are "standard" 2-way and 3-way valve clusters.. Contact the factory for other options such as circuit setters, strainers, auto-flow valves, etc.



In keeping with its policy of continuous progress and product improvement, AE-Air reserves the right to make changes without notice.



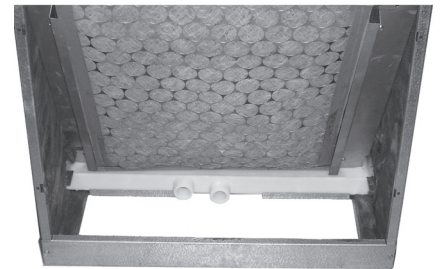
**T200/T201**  
**"AUTOSPEED 24V™"**  
**THERMOSTAT**



Optional wall panel  
(Recessed wall application)



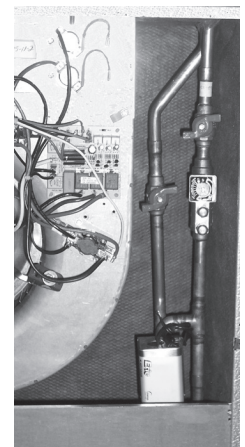
**T420/T421**  
**THERMOSTAT**



Condensate drain connections  
(With drain cover removed)  
(Thermoplastic pan shown)



Unit shown with optional  
bottom return air kit  
(#90PK4)



Unit shown with  
an optional  
valve package

# Autospeed 24V™ Thermostats

(Part #'s T200/T201)

## Accurate, Efficient, and Quiet Fan Coil Operation

The new Autospeed 24V™ thermostat (part's # T200 and T201) provides 24V AC single stage temperature control of 2 pipe and 4 pipe fan coil applications. The T200/T201 thermostat offers maximum comfort and efficiency by **automatically selecting the appropriate High, Medium, or Low fan speed**, depending on room temperature and thermostat temperature setting. This automatic fan speed control not only brings the room temperature to the desired set point quickly, it maintains the room temperature with the most efficient fan speed selection. Once the desired room temperature is achieved the fan coil operates on low speed for extremely quiet operation. The fan coil control board (which is factory installed in all CW units) is a circuit board that provides control of a 3-speed line voltage fan motor. The control board allows the thermostat to control the fan motor even though, by itself, the thermostat does not have the amperage capability nor the voltage rating capability to control the fan motor.



(T200 shown with wall plate)

### T200/T201 Thermostat Features

- Compatible with 2 pipe and 4 pipe fan coils:  
Series HBC/PHBC/RHBC/CHBC,  
MB/MB-HW, HYB/PHYB, and CW/CW-HW
- Cycle fan or continuous fan operation
- **T200**-Manual Heat / Cool changeover switch
- **T201**-Automatic Heat / Cool changeover switch
- Large LED digital display
- Allows less expensive 24V control wiring from the fan coil to the thermostat, rather than larger, more expensive line voltage wiring.
- 3-speed fan operation, with speed indicator lights
- Fan speed determination:
  - If room temperature is 4 degrees (F.) off thermostat set point, fan will operate on High speed.
  - If 3 degrees off set point, fan will operate on Medium speed.
  - If within 2 degrees of set point, fan will operate on Low speed.
- One or 3 hour Auto override - Fan speed defaults to "Auto" mode after 1 hour if the user manually changes it to a particular fan speed.
- Temperature set range: 64-88 degrees F.
- Adjustable high and low temperature set points
- Selectable Fahrenheit / Centigrade display
- Power switch turns system off/on
- Requires 7-wire 24V thermostat wire
- No batteries required
- Set points are permanently retained in memory in case of power interruption
- Simple operation
- Mercury Free
- Wall plate included

| DISPLAY CODES |                                   |                                |
|---------------|-----------------------------------|--------------------------------|
| DISPLAY       | STEADY                            | FLASHING                       |
| P1            | Auto fan timer - 1 hour (default) | Auto fan timer - 3 hour        |
| P2            | Continuous fan (default)          | Cycled fan                     |
| P3            | °F (default)                      | °C                             |
| P4            | Cycled fan standard               | Cycled fan overdrive (default) |
| P5            | Low temp limit 64 °F (default)    | Low temp limit 67 °F           |
| P6            | Hi temp limit 88 °F (default)     | Hi temp limit 84 °F            |





AE-Air  
P.O. Box 270969 - Dallas, Texas 75227  
Ph. (214) 388-5751 | Fax (214) 388-2255  
[www.ae-air.com](http://www.ae-air.com)

JULY 2024